

V9990

(E-VDP-III)

■ GENERAL DESCRIPTION

The V9990 is a video display processor (VDP) which features as follows. Having a high-speed drawing and animation functions, it provides various screen modes which can be used for games, AV and OA purposes. Also, as a monitor, it supports many types of display units such as home TV sets, CRT for personal computers and LCD panels.

■ FEATURES

Game Specifications:

For this type, there are two pattern display modes as follows.

- P1 (Display resolution 256 × 212 2 screens)
- P2 (Display resolution 512 × 212)

Various highly advanced functions are available such as powerful sprite function and omnidirectional scroll function.

AV Specifications:

For this type, there are four kinds of bit map display modes which can be displayed on the NTSC or PAL frequency monitor as follows.

- B1 (Display resolution 256 × 212)
- B2 (Display resolution 384 × 240)
- B3 (Display resolution 512 × 212)
- B4 (Display resolution 768 × 240)

- Capable of doubling the resolution in the vertical direction by using the interlace.
- Display is possible up to 32,768 colors/dot.
- Built-in color palette (64 colors selected out of 32,768 colors).
- Omnidirectional smooth scrolling is possible.
- Superimposition and digitization are possible.

- Allows use of the monitor screen to the full extent in four directions as the display range by using the over-scan mode (B2, B4) in such application as for the telopper.
- Supports the high-speed hardware drawing commands such as the screen transfer, font color development and line.
- The hardware cursor display function is available.

OA Specifications:

For this type, there are two kinds of bit map display modes which can be displayed on the high resolution monitor as follows.

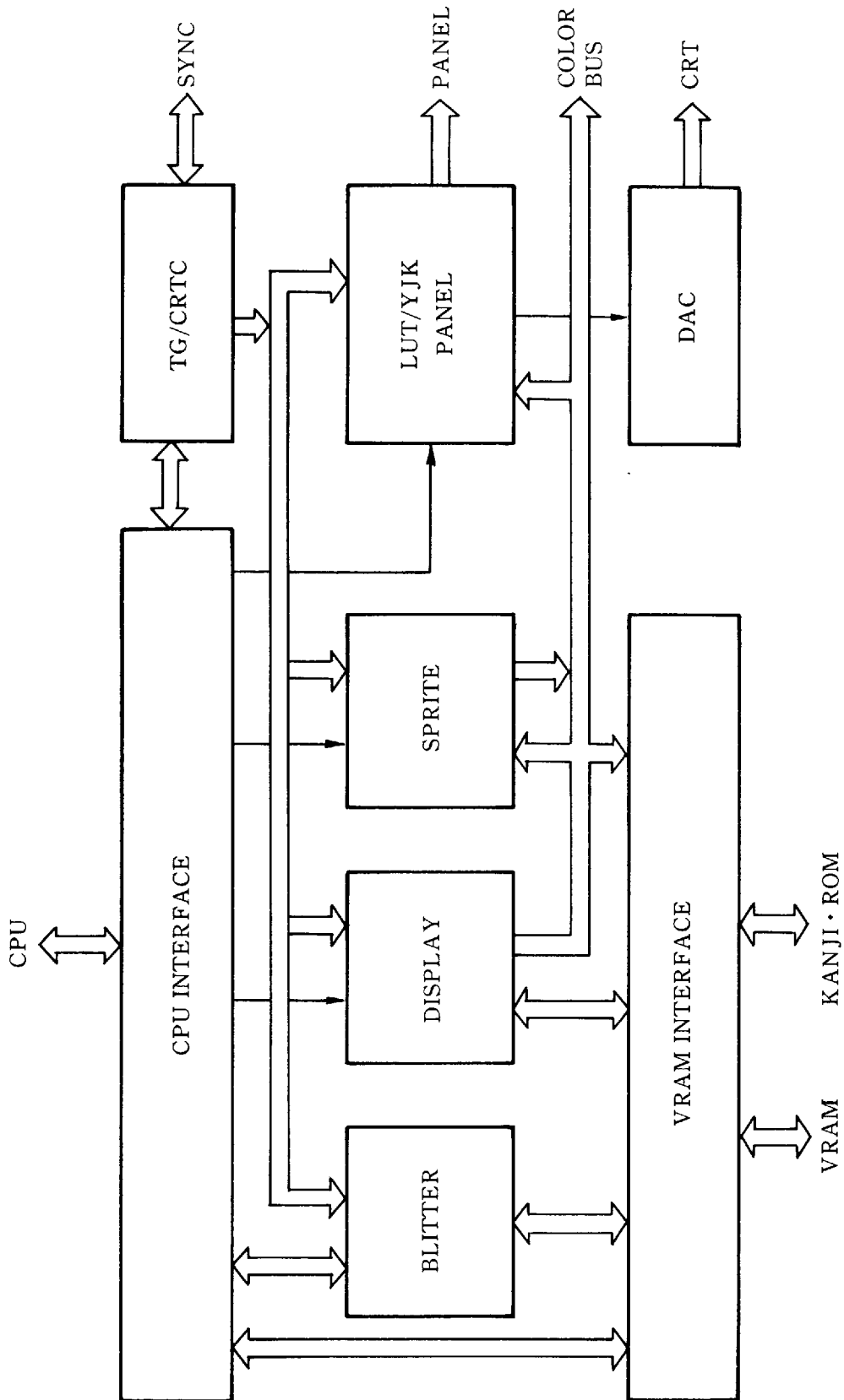
- B5 (Display resolution 640 × 400)
- B6 (Display resolution 640 × 480)
- Capable of displaying up to 16 colors/dot (Selectable out of 32,768 colors depending on the color palette).
- Omnidirectional smooth scrolling is possible.
- Supports the high-speed hardware drawing commands such as the screen transfer, font color development and line.
- The hardware cursor display function is available.

Others:

- Built-in DA converter
- Linear RGB output
- Direct connection of CG ROM such as KANJI ROM is possible.
- Useable VRAM

64K × 4	}	Dual port DRAM (The access time is 120ns, but 100ns for the B6 mode.)
128K × 8		
256K × 4		
- As the VRAM capacity, 128KB, 256KB and 512KB configurations are possible.
- Capable of direct access from CPU to VRAM by means of the 16 bit bus.
- Use of the LCD panel (1 screen panel and single drive type of 2 screen panels) is possible.

■ BLOCK DIAGRAM



■ PIN ASSIGNMENT

V _{SS}	1	128	*WAIT	108	FSC/CB6	96	AV _{DD}
*CSW	2	127	*INT1	107	V _{SS}	95	B/D1/CB1
*CSR	3	126	*INT0	106	*VRESET/CB5	94	G/D2/CB2
MODE0	4	125	*DREQ	105	*HRESET/CB4	93	R/D3/CB3
MODE1	5	124	*VMREQ	104	SHCK	92	AV _{SS}
MODE2	6	123	V _{DD}	103	*BLANK/M	91	*YS/D0/CB0
MODE3	7	122	CD7	102	*CSYNC/FLM	90	V1D7
KA17	8	121	CD6	101	*HSYNC/LC	89	V1D6
KA16	9	120	CD5	100	V _{SS}	88	V1D5
KA15	10	119	CD4	99	XTAL2	87	V1D4
KA14	11	118	V _{SS}	98	XTAL1	86	V _{SS}
KA13	12	117	CD3	97	V _{DD}	85	V1D3
KA12	13	116	CD2			84	V1D2
KA11	14	115	CD1			83	V1D1
KA10	15	114	CD0			82	V1D0
KA9	16	113	MCKIN			81	V _{DD}
V _{SS}	17	112	DLCLK			80	V1A0
V0A8/KA8	18	111	DHCLK			79	V1A1
V0A7/KA7	19	110	*RESET			78	V1A2
V0A6/KA6	20	109	CB7			77	V1A3
V0A5/KA5	21	108	FSC/CB6			76	V1A4
V0A4/KA4	22	107	V _{SS}			75	V _{SS}
V0A3/KA3	23	106	*VRESET/CB5			74	V1A5
V0A2/KA2	24	105	*HRESET/CB4			73	V1A6
V0A1/KA1	25	104	SHCK			72	V1A7
V0A0/KA0	26	103	*BLANK/M			71	V1A8
V _{DD}	27	102	*CSYNC/FLM			70	ASEL
V0D7/KD7	28	101	*HSYNC/LC			69	*VMBG
V0D6/KD6	29	100	V _{SS}			68	*V1SOE
V0D5/KD5	30	99	XTAL2			67	V1SC
V0D4/KD4	31	98	XTAL1			66	*V1TR/*OE
V _{SS}	32	97	V _{DD}			65	*V1WE
V0D3/KD3	33						
V0D2/KD2	34						
V0D1/KD1	35						
V0D0/KD0	36						
*KOE	37						
*V0RAS	38						
*V0CAS	39						
*V0WE	40						
*V0TR/*OE	41						
V0SC	42						
*V0SOE	43						
V _{SS}	44						
V0S7	45						
V0S6	46						
V0S5	47						
V0S4	48						
V0S3	49						
V0S2	50						
V0S1	51						
V0S0	52						
V _{DD}	53						
V1S7	54						
V1S6	55						
V1S5	56						
V1S4	57						
V1S3	58						
V1S2	59						
V1S1	60						
V1S0	61						
*V1RAS	62						
*V1CAS	63						
V _{SS}	64						

* : Low active

■ DESCRIPTION OF TERMINALS

1) CPU Interface

- CD7-0 (I/O)
8-bit bidirectional data bus of CPU.
- MODE3-0 (I)
Address for I/O port selection of CPU. Select P#0 to P#F of VDP.
- *CSR (I)
CPU read signal which is chip-selected for VDP. VDP outputs data to CD7-0 when this signal is active (Low).
- *CSW (I)
CPU write signal which is chip-selected for VDP. D7-0 data is set to VDP at the rise of this signal.
- *WAIT (O : Open drain output)
Wait signal to CPU. This signal becomes active (Low) while VDP is busy when reading or writing is executed from CPU.
- *INT1, *INT0 (O : Open drain output)
This signal becomes active (Low) when the interrupt condition exists in VDP. The interrupt condition can be obtained by reading P#6 and cancelled by writing "1" as an interrupt condition corresponding to P#6.
INT0 is an interrupt for vertical retrace line interval and at command end.
INT1 is an interrupt for display position.
- *DREQ (O : Open drain output)
Data request signal. This signal becomes active (Low) when data ready occurs while command is executed and can be cancelled by means of P#2 access.
- *VMREQ (I)
This signal becomes active (Low) when CPU makes an access to VRAM without using VDP. VDP activates the WAIT signal till access to the VRAM becomes possible. Following that, it makes the VMBG signal active and releases the data bus, address bus and WE signal of VRAM0 and VRAM1.

2) VRAM Interface

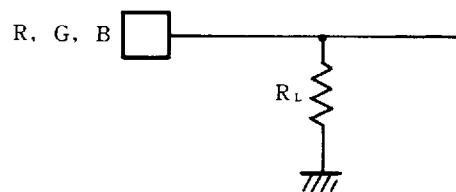
- *KOE (O)
Data output enable signal for Kanji ROM. The data bus (V0D7-0) is used by both VRAM0 and kanji ROM and when this signal is active (Low), kanji ROM data bus becomes valid.
- KA17-9 (O)
Address bus (A17-9) output of Kanji ROM.

- V0A8-0/KA8-0 (O : 3 state output)
Address bus output of VRAM0. When *KOE is active, Kanji ROM address bus output becomes valid.
- V1A8-0 (O : 3 state output)
Address bus output of VRAM1.
- V0D7-0/KD7-0 (I/O)
Bidirectional data bus of VRAM0 RAM port. When *KOE is active, Kanji ROM data bus input becomes valid.
- V1D7-0 (I/O)
Bidirectional data bus of VRAM1 RAM port.
- V0S7-0, V1S7-0 (I)
Data bus input of VRAM0, VRAM1 serial port.
- *V0RAS, *V1RAS (O)
Low address strobe signal output of VRAM0 and VRAM1.
- *V0CAS, *V1CAS (O)
Column address strobe signal output of VRAM0 and VRAM1.
- *V0WE, *V1WE (O : 3 state output)
Write strobe signal output of VRAM0 and VRAM1.
- *V0TR/*OE, *V1TR/*OE (O)
Data transfer control signal of VRAM0 and VRAM1 or data output enable signal of RAM port.
- V0SC, V1SC (O)
Serial clock signal output of VRAM0 and VRAM1.
- *V0SOE, *V1SOE (O)
Data enable signal of VRAM0 and VRAM1 serial port.
- *VMBG (O)
When this signal is active (Low), VDP releases VRAM0, VRAM1 data bus, address bus and WE signal (resulting in high impedance).
- ASEL (O)
Low address timing signal for VRAM when making an access to VRAM from outside.

3) CRT and Panel Interface

- *HSYNC/LC (O)
Horizontal synchronous signal output (without equivalent pulse). Panel latch clock signal output when VDP is in panel mode.

- ***CSYNC/FLM (O)**
Combined synchronous signal output (with equivalent pulse). Panel scanning start signal output when VDP is in panel mode.
- ***BLANK/M (O)**
This signal becomes active (Low) while retrace line blanking interval. Panel AC conversion signal output when VDP is in panel mode.
- **SHCK (O)**
Panel shift clock signal output.
- **R, G, B, *YS/D3-0/CB3-0 (O)**
Linear RGB output and YS signal output. Panel data output or color bus output when in panel mode. YS signal becomes active (Low) when VDP data is superimposed.



- ***HRESET/CB4 (I/O)**
Internal horizontal timing is initialized when this signal falls. It is possible to synchronize with other VDP but when horizontal cycle differs, normal operation of VDP is not assured. Color bus output becomes valid when in panel mode.
- ***VRESET/CB5 (I/O)**
Internal vertical timing is initialized when this signal falls. It is possible to synchronize VDP from outside. Color bus output becomes valid when in panel mode.
- **FSC/CB6 (O)**
NTSC sub-carrier (3.58MHz clock) output. Color bus output becomes valid when in panel mode.
- **CB7 (O)**
Color bus output. CB7-0 data is output as follows.

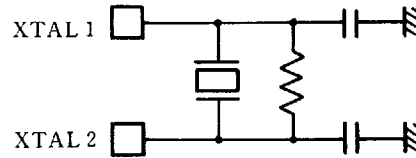
Mode	Dot Clock	CB7	CB6	CB5	CB4	CB3	CB2	CB1	CB0	CB Clock
P1	5MHz	—	—	CC5	CC4	CC3	CC2	CC1	CC0	DLCLK
P2	10MHz	—	—	CC5	CC4	CC3	CC2	CC1	CC0	DHCLK
8B/D	7, 10MHz/ 5MHz	CC7	CC6	CC5	CC4	CC3	CC2	CC1	CC0	DHCLK/DLCLK
4B/D	25, 21MHz/14MHz	ECC3	ECC2	ECC1	ECC0	OCC3	OCC2	OCC1	OCC0	DHCLK
4B/D	7, 10MHz/ 5MHz	—	—	—	—	CC3	CC2	CC1	CC0	DHCLK/DLCLK
2B/D	25, 21MHz/14MHz	—	—	ECC1	ECC0	—	—	OCC1	OCC0	DHCLK
2B/D	7, 10MHz/ 5MHz	—	—	—	—	—	—	CC1	CC0	DHCLK/DLCLK

Note) B/D : Bit/Dot, ECC3-0 : CC3-0 of even number dot, OCC3-0 : CC3-0 of odd number dot

4) Clock Signal

- XTAL 1 (I), XTAL 2 (O)

Terminal for connecting 21MHz (MCK) crystal oscillator. Use XTAL1 terminal when inputting clock oscillated externally.

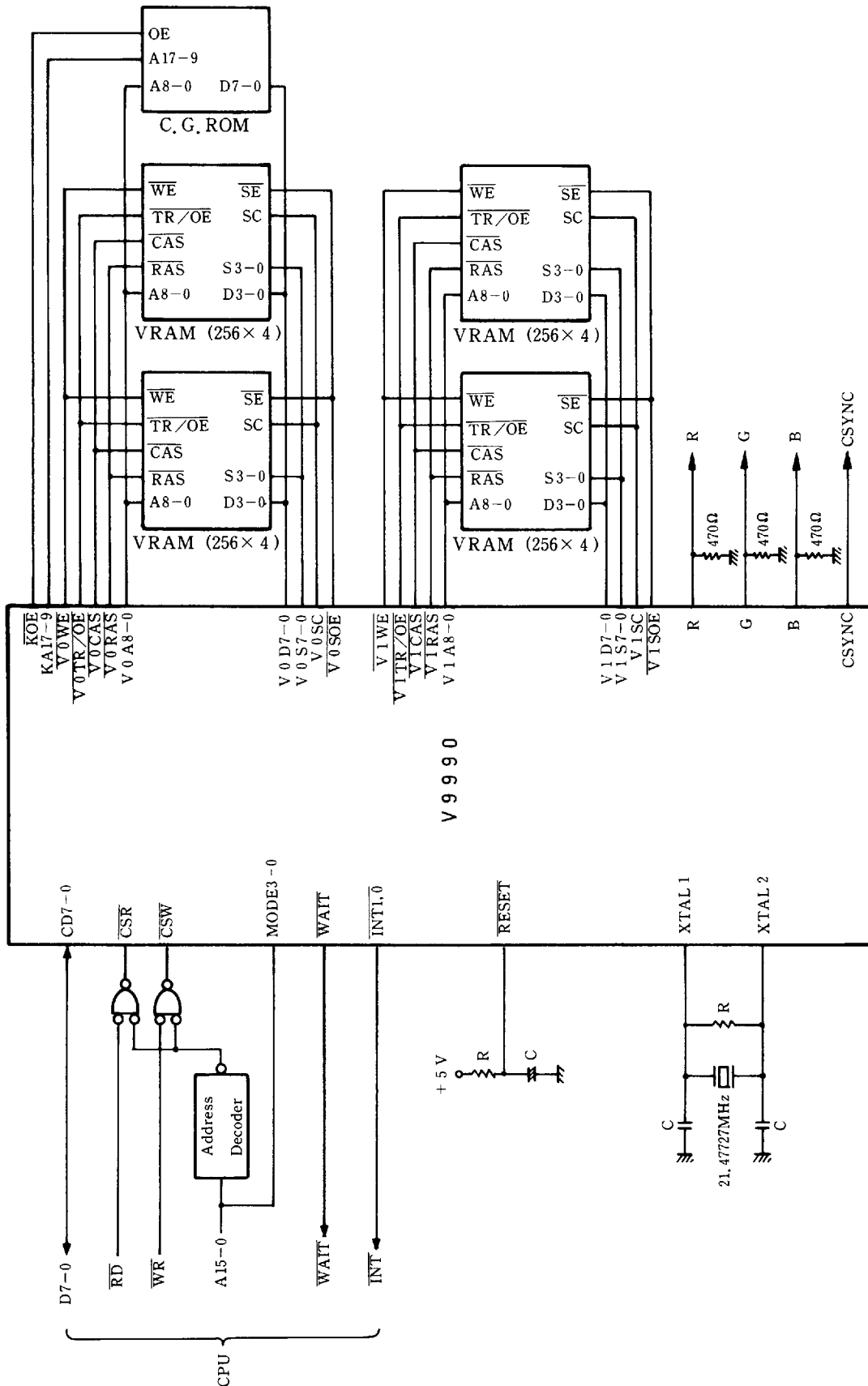


- MCKIN (I)
14MHz clock (MCK) input. Use VDP internal register when selecting XTAL or MCKIN.
- DHCLK, DLCLK (O)
Dot clock output. 1/2MCK for DHCLK and 1/4MCK for DLCLK.

5) Others

- *RESET (I)
VDP is initialized when this signal is active (Low). All registers (except LUT) will be "0" cleared.
- AVDD, AVSS (I)
Analog power supply input for RGB.
- VDD, VSS (I)
Digital power supply input.

SYSTEM CONFIGURATION



■ ELECTRICAL CHARACTERISTICS

Absolute Maximum Ratings

Supply voltage (V_{DD})	-0.3 ~ +7.0V
Input voltage (V_I)	-0.3 ~ $V_{DD} + 0.3V$
Output voltage (V_O)	-0.2 ~ $V_{DD} + 0.3V$
Storage temperature (T_{stg})	-50 ~ +125°C

Recommended operating conditions

Symbol	Item	Min.	Typ.	Max.	Unit
V_{DD}	Supply voltage	4.75	5.00	5.25	V
V_{SS}	Supply voltage		0		V
V_{IL1}	Low level input voltage (Group 1)	-0.3		1.5	V
V_{IH1}	High level input voltage (Group 1)	3.5		V_{DD}	V
V_{IL2}	Low level input voltage (Group 2)	-0.3		0.8	V
V_{IH2}	High level input voltage (Group 2)	2.2		V_{DD}	V
T_{Op}	Operational temperature	0		70	°C

Group 1 : XTAL1, MCKIN

Group 2 : Input terminals other than group 1

Electrical characteristics under the recommended operating conditions

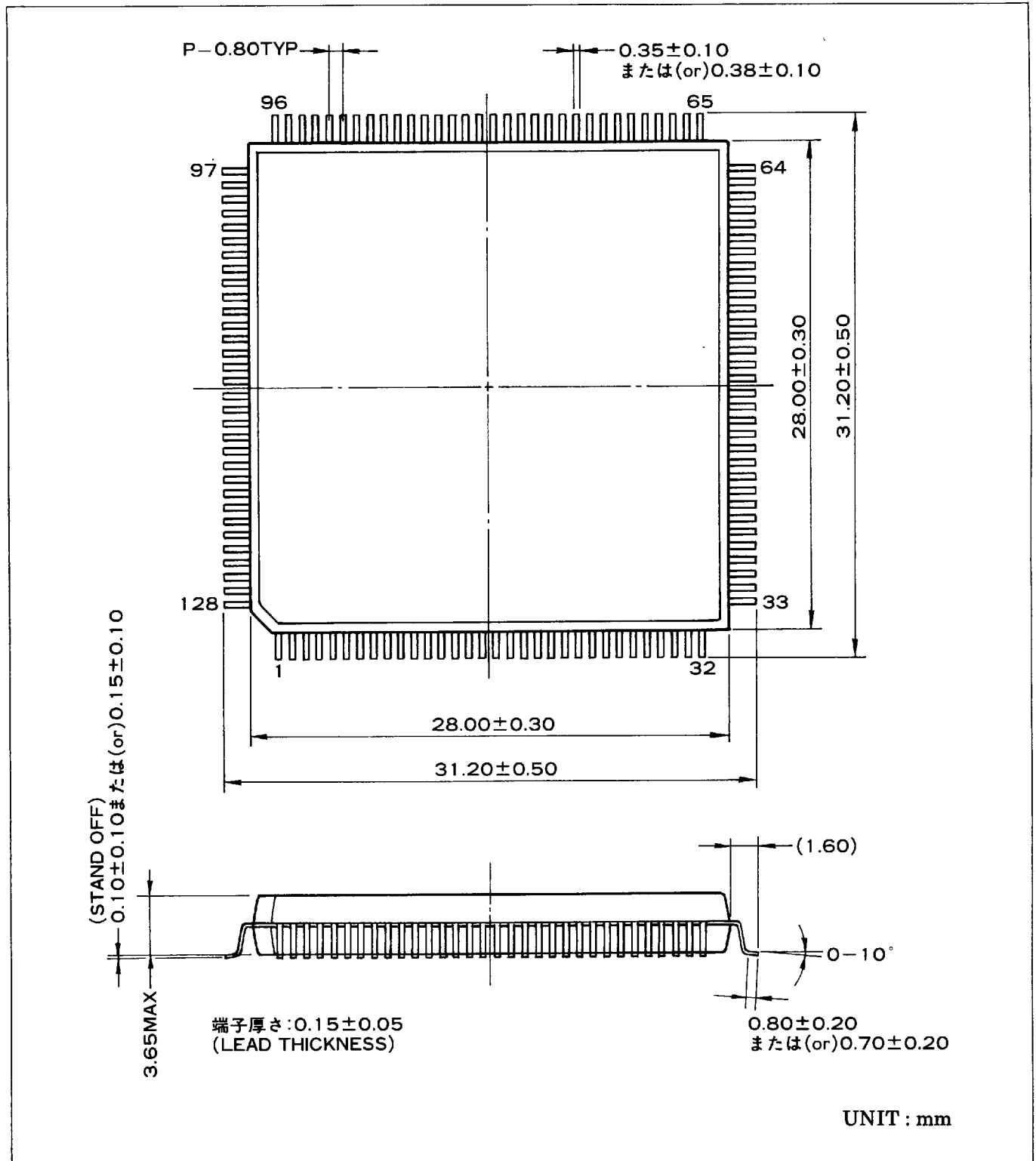
DC characteristics

Symbol	Item	Condition	Min.	Typ.	Max.	Unit
V_{OL}	Low level output voltage	$I_{OL} = 1.6mA$			0.4	V
V_{OH}	High level output voltage (except OPEN DRAIN terminal)	$I_{OH} = -0.1mA$	2.7			V
I_{LI}	Input leak current				10	μA
I_{LO}	Output leak current				25	μA
I_{DD}	Power consumption			100	140	mA

Terminal capacitance

Symbol	Item	Min.	Typ.	Max.	Unit
C_I	Input terminal capacitance			8	pF
C_O	Output terminal capacitance			10	
C_{IO}	Input/output terminal capacitance			12	

EXTERNAL DIAGRAM OF THE PACKAGE



The specifications of this product are subject to improvement changes without prior notice.

_____ AGENCY _____

YAMAHA CORP.

Address inquiries to:

Semi-conductor Sales Department

- **Head Office** 203, Matsunokijima, Toyooka-mura,
Iwata-gun, Shizuoka-ken, 438-01
Electronic Equipment business section
Tel. 0539-62-4918 Fax. 0539-62-5054
- **Tokyo Office** 3-4, Surugadai Kanda, Chiyoda-ku,
Tokyo, 101
Ryumeikan Bldg. 4F
Tel. 03-3255-4481 Fax. 03-3255-4488
- **Osaka Office** 3-12-9, Minami Senba, Chuo-ku,
Osaka City, Osaka, 542
Shinsaibashi Plaza Bldg. 4F
Tel. 06-252-7980 Fax. 06-252-5615
- **U.S.A. Office** YAMAHA Systems Technology.
981 Ridder Park Drive San Jose, CA95131
Tel. 408-437-3133 Fax. 408-437-8791