

***THIS DOCUMENT IS FOR MAINTENANCE
PURPOSES ONLY AND IS NOT
RECOMMENDED FOR NEW DESIGNS***

ZN428E8/ZN428J8/ZN428D

8-BIT LATCHED INPUT D-A CONVERTER

The ZN428 is a monolithic 8-bit D-A converter with input latches to facilitate updating from a data bus. The latch is transparent when enable is LOW and the data is held when enable is taken HIGH. The ZN428 also contains a 2.5V reference the use of which is pin optional to retain flexibility. An external fixed or varying reference may therefore be substituted.

FEATURES

- Contains DAC with Data Latch and On-Chip Reference
- Guaranteed Monotonic over the Full Operating Temperature Range
- Single +5V Supply
- Microprocessor Compatible
- TTL and 5V CMOS Compatible
- 800ns Settling Time
- Complementary to ZN427 A to D Series
- Commercial or Military Temperature Range

ORDERING INFORMATION

Device Type	Operating temperature	Package
ZN428D	0°C to +70°C	MP16W
ZN428E8	0°C to +70°C	DP16
ZN428J8	-55°C to +125°C	DC16

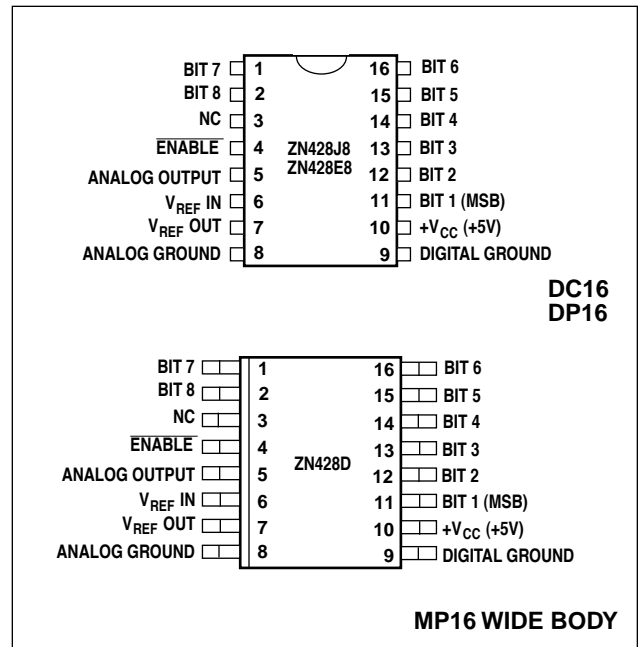
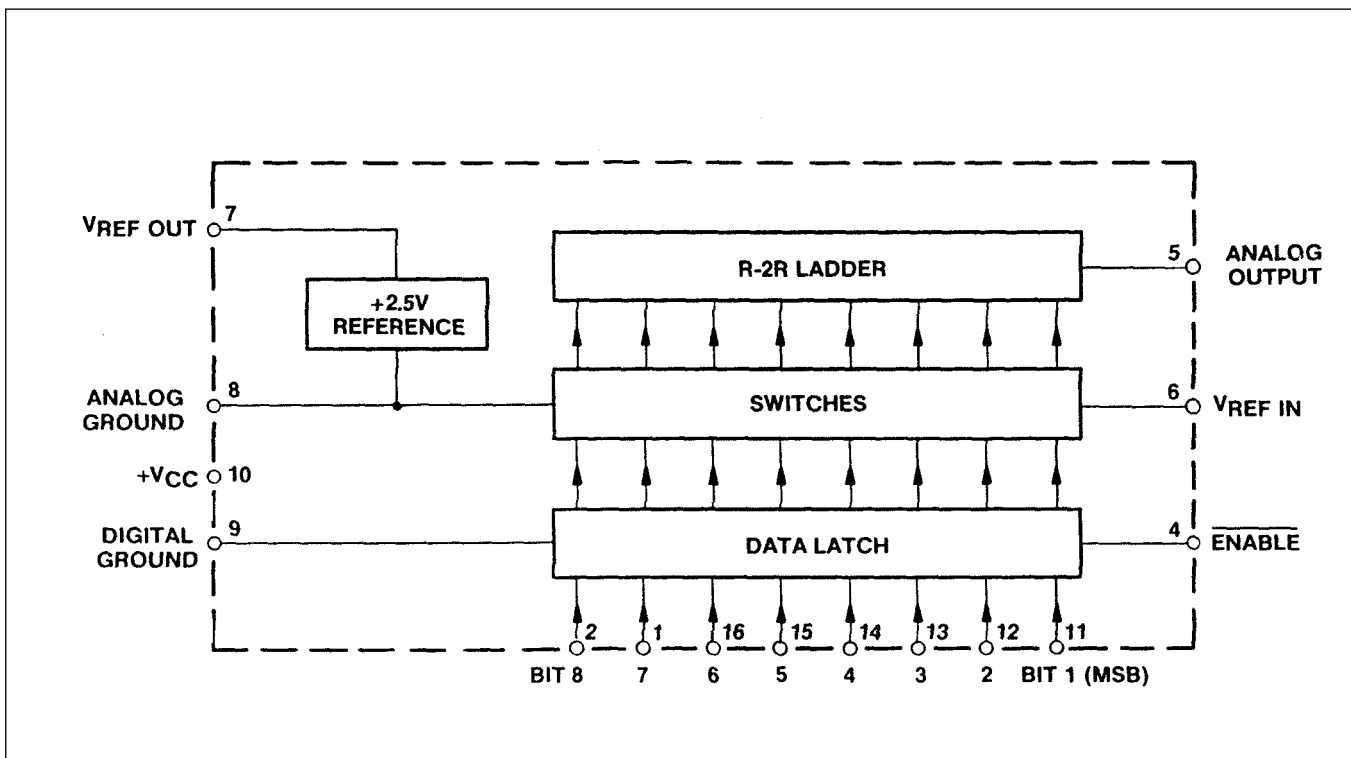


Fig.1 Pin connections (not to scale) - top view



ZN428

ABSOLUTE MAXIMUM RATINGS

Supply voltage V_{CC}	+7.0V
Max.voltage, logic and V_{REF} inputs	$+V_{CC}$
Operating temperature range	0°C to +70°C (ZN428E8, ZN428D) -55°C to +125°C (ZN428J8)
Storage temperature range	-55°C to +125°C
Analog ground to digital ground	$\pm 200\text{mV}$

ELECTRICAL CHARACTERISTICS

($V_{CC} = +5\text{V}$, $T_{amb} = 25^\circ\text{C}$ unless otherwise specified)

Parameter	Min.	Typ.	Max.	Units	Conditions
Internal Voltage Reference					
Output voltage	2.475	2.550	2.625	V	¹²³ $R_{REF} = 390\Omega$ $C_{REF} = 1\mu\text{F}$
Slope resistance	-	0.5	2	Ω	
$V_{REF\ OUT}$ T.C.	-	50	-	ppm/ $^\circ\text{C}$	
Reference current	4	-	15	mA	
D-A Converter					
Linearity error	-	-	± 0.5	LSB	$2.0\text{V} \leq V_{REF\ IN} \leq 3.0\text{V}$
Differential non-linearity	-	± 0.5	-	LSB	
Linearity error T.C.	-	± 3	-	ppm/ $^\circ\text{C}$	
Differential non-linearity T.C.	-	± 6	-	ppm/ $^\circ\text{C}$	
Offset voltage	-	2	5	mV	All bits off
Offset voltage T.C.	-	± 6	-	$\mu\text{V}/^\circ\text{C}$	
Full-scale output	2.545	2.550	2.555		¹²³ External reference $V_{REF\ IN} = 2.560\text{V}$, all bits ON
Full-scale output T.C.	-	2	-	ppm/ $^\circ\text{C}$	
Analog output resistance	-	4	-	k Ω	
External reference voltage	0	-	3.0	V	
Settling time to 0.5 LSB	-	800	-	ns	1 LSB major transition (Note 2) All bits ON to OFF or OFF to ON (Note 2)
	-	1.25	-	μs	
Operating temperature range:					
ZN428D and ZN428 E8	0	-	70	$^\circ\text{C}$	
ZN428J8	-55	-	125	$^\circ\text{C}$	
Supply voltage (V_{CC})	4.5	5.0	5.5	V	
Supply current	-	20	30	mA	Note 3
Power consumption	-	100	-	mW	

Note 1: See REFERENCE

Note 2: $R_L = 10\text{M}\Omega$, $C_L = 10\text{pF}$

Note 3: All inputs HIGH ($V_{IH} = 3.5\text{V}$)

ELECTRICAL CHARACTERISTICS (cont.)

Parameter	Min.	Typ.	Max.	Units	Conditions
Logic (over specified operating temperature range)					
High level input voltage	2.0	-	-	V	
Low level input voltage	-	-	0.8	V	
High level input current	-	-	60	μA	V _{IN} = 5.5V, V _{CC} = Max.
	-	-	20	μA	V _{IN} = 2.4V, V _{CC} = Max.
Low level input current	-	-	-5	μA	V _{IN} = 0.4V, V _{CC} = Max.
Input clamp diode voltage	-	-1.5	-	V	I _{IN} = -8mA
Enable pulse width	100	-	-	ns	
Data set-up time	150	-	-	ns	Note 4
Data hold time	10	-	-	ns	Note 5

Note 4: Set up time before ENABLE goes high

Note 5: Hold time after ENABLE goes high

D-A CONVERTER

The converter is of the voltage switching type and uses an R-2R ladder network as shown in Fig.3. Each 2R element is connected to 0V or V_{REF IN} by transistor voltage switches

specially designed for low offset voltage (<1mV). A binary weighted voltage is produced at the output of the R-2R ladder.

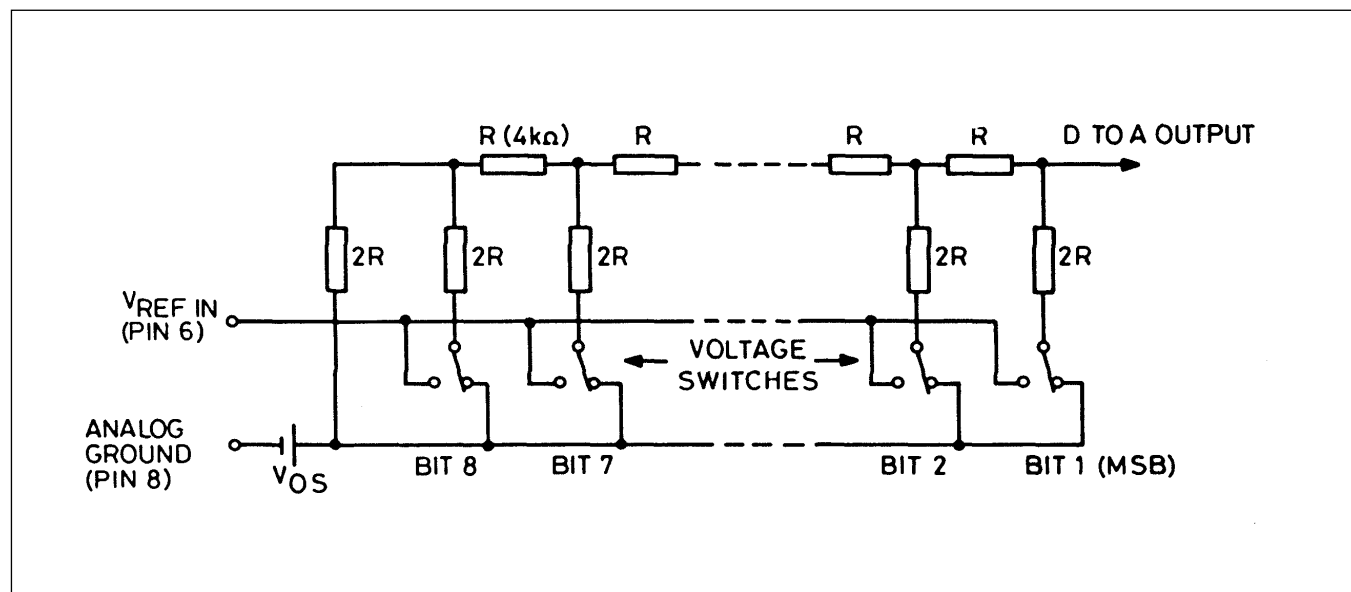


Fig.3 The R-2R ladder network

$$\text{Analog output} = \frac{n}{256} (V_{\text{REF IN}} - V_{\text{OS}}) + V_{\text{OS}}$$

where n is the digital input to the D-A from the data latch.

V_{OS} is a small offset voltage produced by the D-A switch currents flowing through the package lead resistance. The

value of V_{OS} is typically 1mV. This offset will normally be removed by the setting up procedure (see Operating Notes) and because the offset temperature coefficient is low (±6μV/°C) the effect on accuracy is negligible.

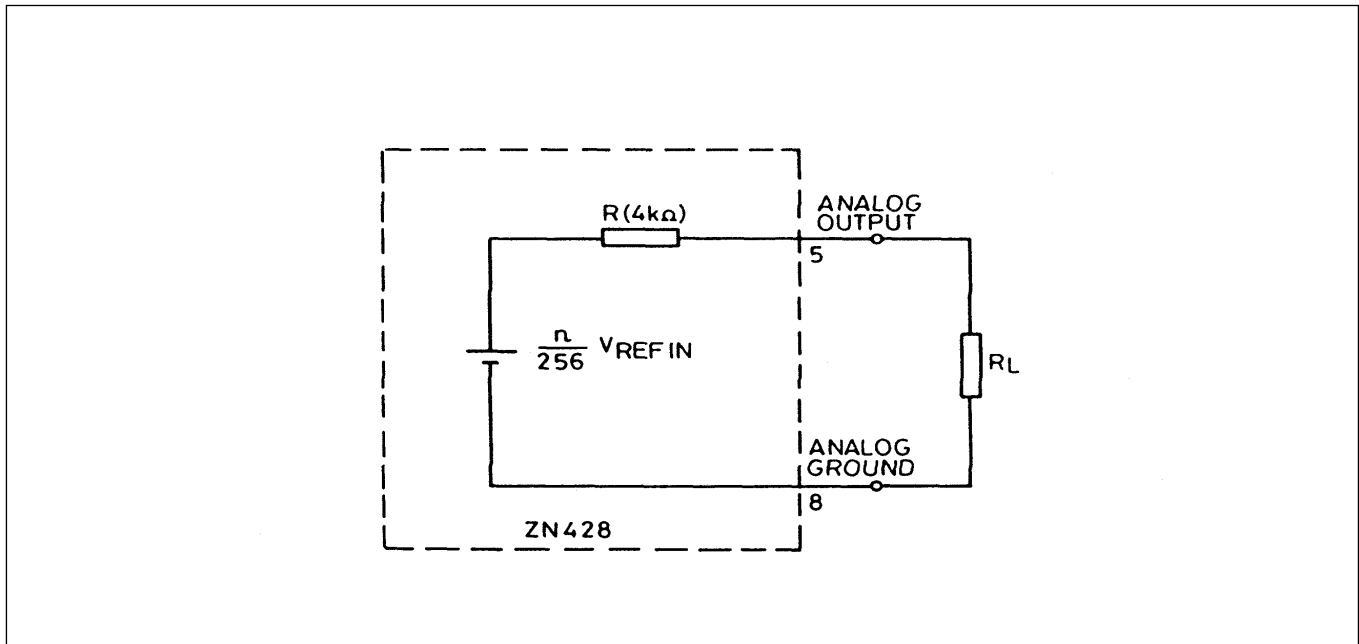


Fig.4 Analog output equivalent circuit

Fig.4 shows equivalent circuit of the output (ignoring V_{OS}). The output resistance R has a temperature coefficient of $+0.2\%$ per $^{\circ}C$.

The gain drift due to this is $\frac{0.2R}{R+R_L} \% \text{ per } ^{\circ}C$.

R_L should be chosen as large as possible to make the gain drift small. As an example if $R_L = 400k\Omega$ then the gain drift due to the T.C. of R for a $100^{\circ}C$ change in ambient temperature will be less than 0.2% . Alternatively the ZN428 can be buffered by an amplifier (see Operating Notes).

REFERENCE

(a) Internal Reference

The internal reference is an active bandgap circuit which is equivalent to a $2.5V$ Zener diode with very low slope impedance (Fig.5). A resistor (R_{REF}), should be connected between $+V_{CC}$ (pin 10) and pin 7. The recommended value of 390Ω will supply a nominal reference current of $(5.0-2.5)/0.39 = 6.4mA$. A stabilising/decoupling capacitor $C_{REF} = 1\mu F$ is required between pins 7 and 8 for internal reference option, $V_{REF OUT}$ (pin 7) being connected to $V_{REF IN}$ (pin 6).

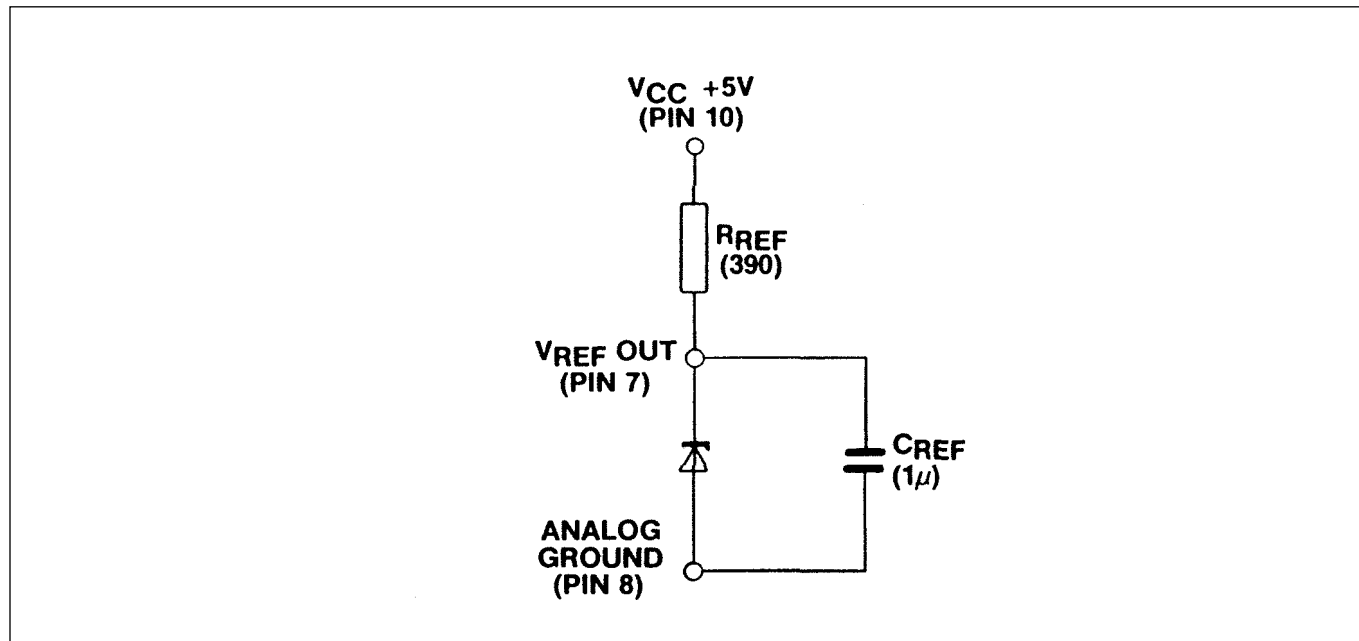


Fig.5 Internal voltage reference

Up to five ZN428s may be driven from one internal reference (there is no need to reduce R_{REF}). This useful feature saves power and gives excellent gain tracking between the converters.

(b) External Reference

If required an external reference voltage may be connected to $V_{REF IN}$. The slope resistance of such a reference should be less than $\frac{2.5}{n} \Omega$, where n is the number of converters supplied.

$V_{REF IN}$ can be varied from 0 to +3V for ratiometric operation. The ZN428 is guaranteed monotonic for $V_{REF IN}$ above 2V.

LOGIC

Input coding is binary for unipolar operation and offset binary for bipolar operation. When the \overline{ENABLE} input is low the data inputs drive the D to A directly. When \overline{ENABLE} goes high the input data word is held in the data latch.

The equivalent circuit for the data and clock inputs is shown in Fig.6.

The ZN428 is provided with separate analog and digital ground connections. The circuit will operate correctly with as much as $\pm 200mV$ between the two grounds.

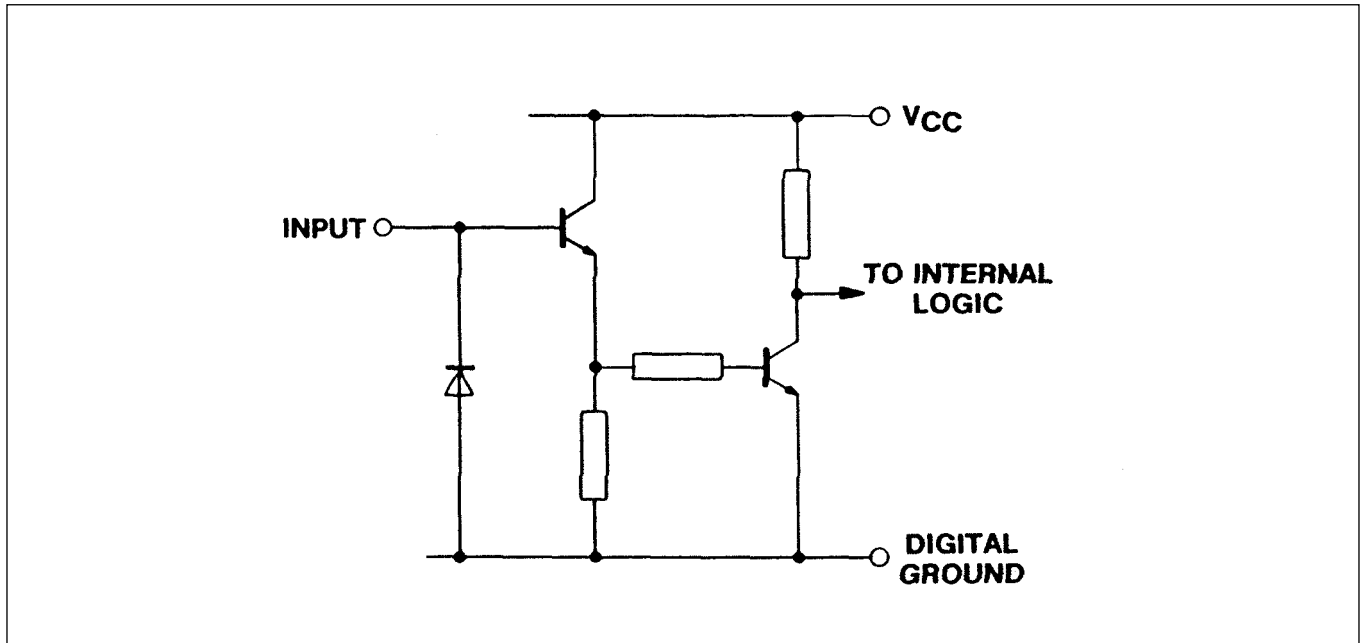


Fig.6 Equivalent circuit of all inputs

OPERATING NOTES

(1) Unipolar D-A Converter

The nominal output range of the ZN428 is 0 to $V_{REF IN}$ through a 4Ω resistance. Other output ranges can readily be obtained by using an external amplifier.

The general scheme (Fig.7) is suitable for amplifiers with input bias currents less than $1.5\mu A$.

The resulting full-scale range is given by:

$$V_{OUT FS} = \left(1 + \frac{R_1}{R_2}\right) V_{REF IN} = G \cdot V_{REF IN}$$

The impedance at the inverting input is $R_1 // R_2$ and for low drift with temperature this parallel combination should be equal to the ladder resistance ($4k\Omega$). The required nominal values of R_1 and R_2 are given by $R_1 = 4Gk\Omega$ and $R_2 = 4G/(G-1)k\Omega$.

Using these relationships a table of nominal resistance values for R_1 and R_2 can be constructed for $V_{REF IN} = 2.5V$.

Output Range	G	R_1	R_2
+5V	2	8k Ω	8k Ω
+10V	4	16k Ω	5.33k Ω

For gain setting R_1 is adjusted about its nominal value. Practical circuit realisations (including amplifier stabilising components) for +5 and +10V output ranges are given in Fig.8. Settling time for a major transition is $1.5\mu s$ typical.

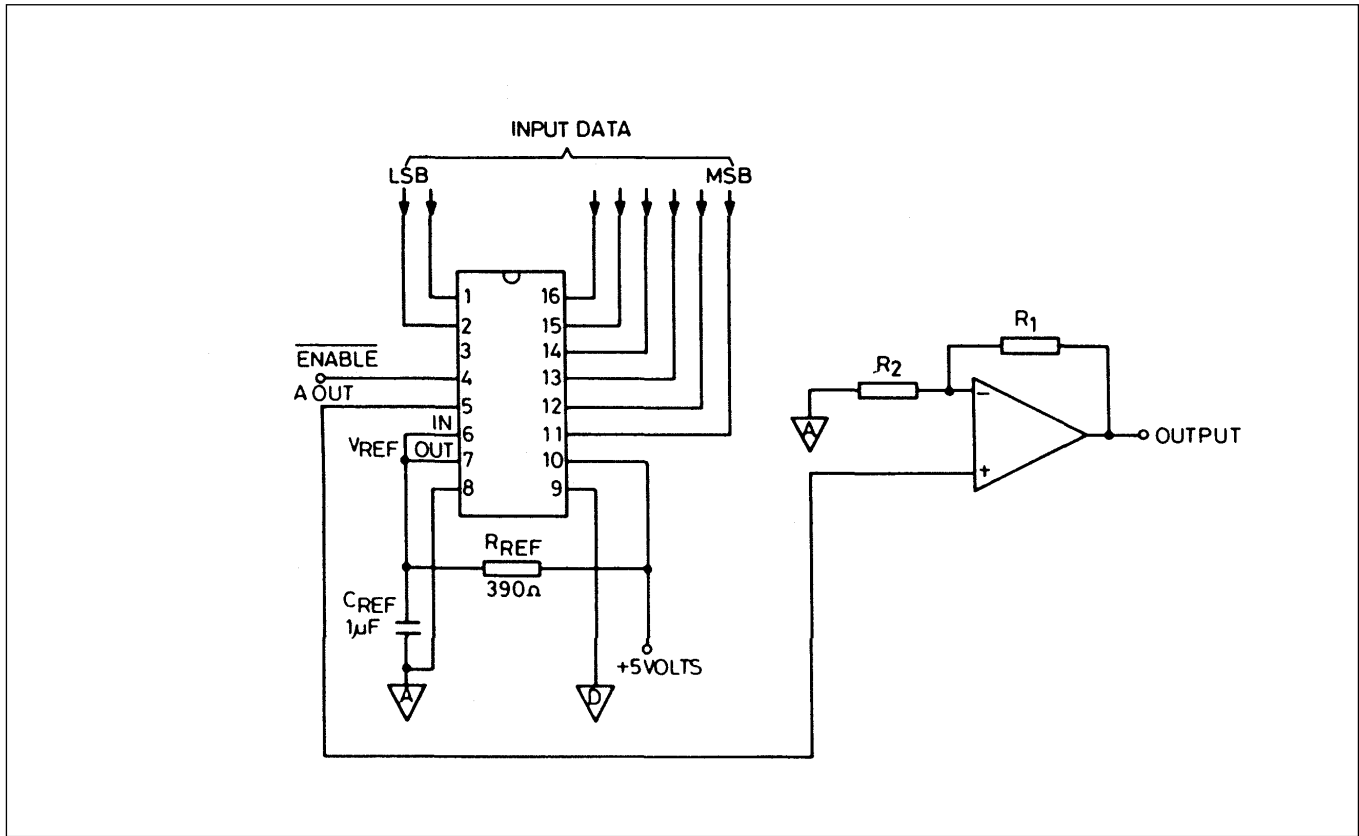


Fig.7 Unipolar operation - basic circuit

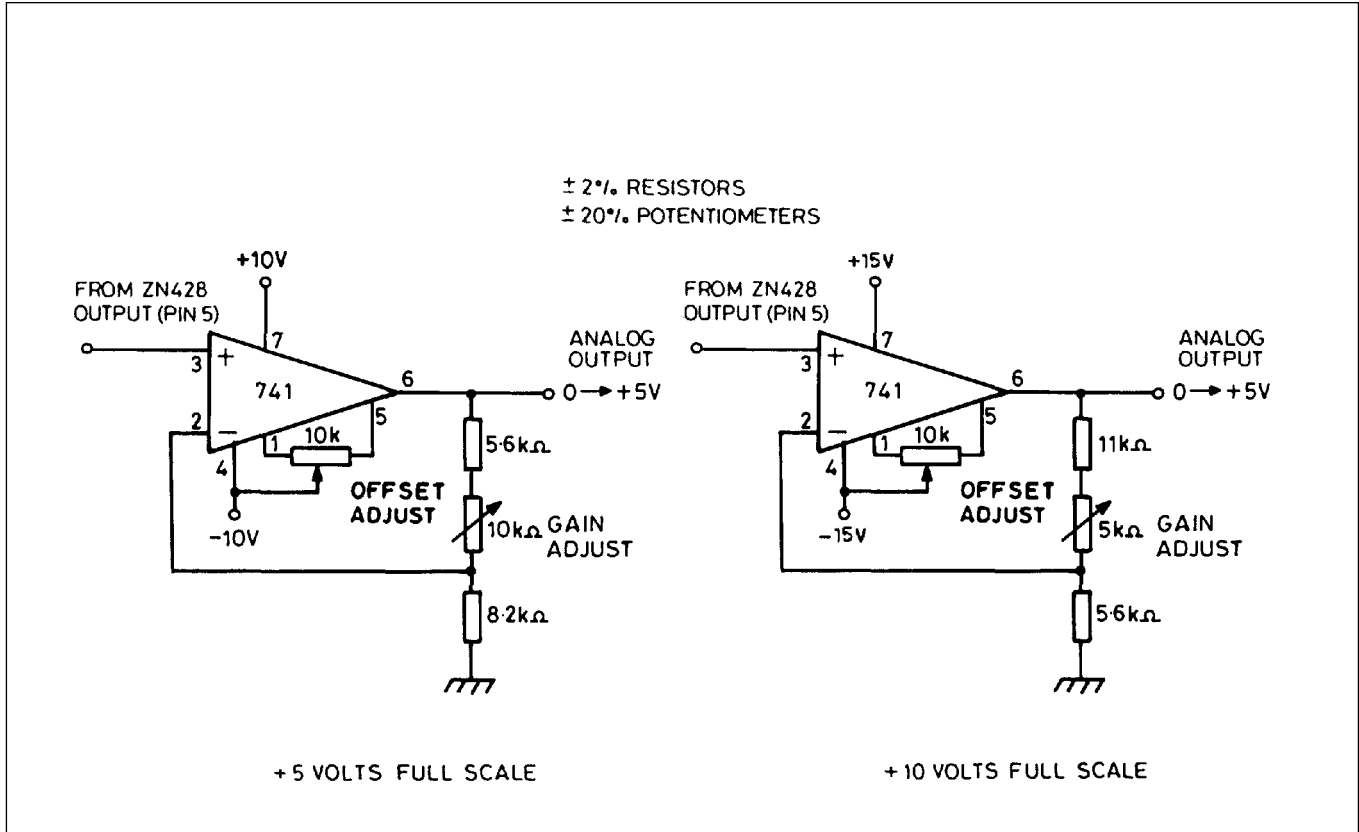


Fig.8 Unipolar operation - component values

UNIPOLAR ADJUSTMENT PROCEDURE

- (i) Set all bits to OFF (low) with $\overline{\text{ENABLE}}$ low and adjust zero until $V_{\text{OUT}} = 0.0000\text{V}$.
- (ii) Set all bits ON (high) and adjust gain until $V_{\text{OUT}} = \text{FS} - 1\text{LSB}$.

UNIPOLAR SETTING UP POINTS

Output Range, +FS	LSB	FS - 1LSB
+5V	19.5 mV	4.9805V
+10V	39.1mV	9.9609V

$1\text{LSB} = \frac{\text{FS}}{256}$

UNIPOLAR LOGIC CODING

Input Code (Binary)	Analog Output (Nominal Value)
11111111	FS - 1LSB
11111110	FS - 2 LSB
11000000	$\frac{3}{4}$ FS
10000001	$\frac{1}{2}$ FS + 1LSB
10000000	$\frac{1}{2}$ FS
01111111	$\frac{1}{2}$ FS - 1LSB
01000000	$\frac{1}{4}$ FS
00000001	1LSB
00000000	0

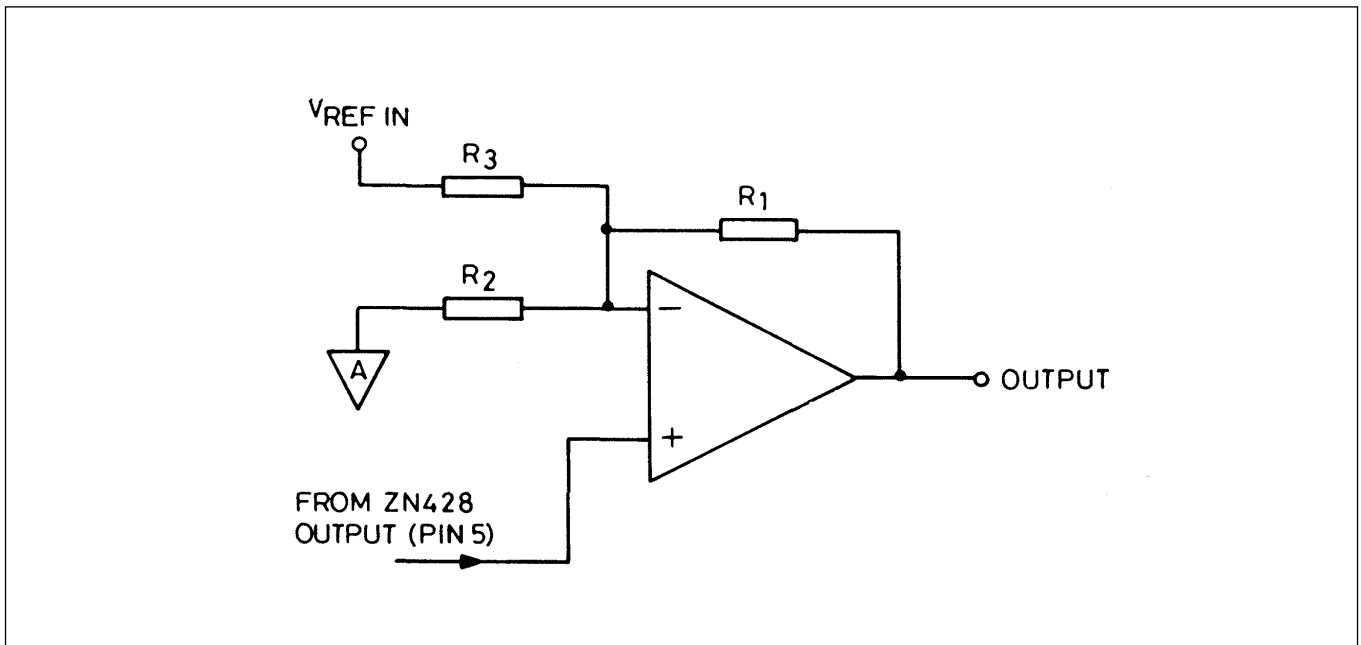


Fig.9 Bipolar operation - basic circuit

(2) Bipolar D-A Converter

For bipolar operation the output from the ZN428 is offset by half full-scale by connecting a resistor R3 between $V_{\text{REF IN}}$ and the inverting input of the buffer amplifier (Fig.9).

When the digital input to the ZN428 is zero the analog output is zero and the amplifier output should be -Full-scale. An input of all ones to the D-A will give a ZN428 output of $V_{\text{REF IN}}$ and the amplifier output required is +Full-scale. Also, to match the ladder resistance the parallel combination of R_1 , R_2 and R_3 should be $4\text{k}\Omega$.

The nominal values of R_1 , R_2 and R_3 which meet these conditions are given by

$R_1 = 8G\text{k}\Omega$, $R_2 = 8G/(G-1)\text{k}\Omega$ and $R_3 = 8\text{k}\Omega$.

where the resultant output range is $\pm G V_{\text{REF IN}}$. A bipolar output range of $\pm V_{\text{REF IN}}$ (which corresponds to the basic unipolar range 0 to $V_{\text{REF IN}}$) is obtained if $R_1 = R_3 = 8\text{k}\Omega$ and $R_2 = \infty$.

Assuming that $V_{\text{REF IN}} = 2.5\text{V}$ the nominal values of resistors for ± 5 and $\pm 10\text{V}$ output ranges are given in the following table:

Output Range	G	R_1	R_2	R_3
+5V	2	16k Ω	16k Ω	8k Ω
+10V	4	32k Ω	10.66k Ω	8k Ω

Minus full scale (Offset) is set by adjusting R_1 about its nominal value relative to R_3 . Plus full-scale (gain) is set by adjusting R_2 relative to R_1 .

Practical circuit realisations are given in Fig.10.

Note that in the $\pm 5\text{V}$ case R_3 has been chosen as $7.5\text{k}\Omega$ (instead of $8.2\text{k}\Omega$) to get a more symmetrical range of adjustment using standard potentiometers. Settling time for a major transition is $1.5\mu\text{s}$ typical.

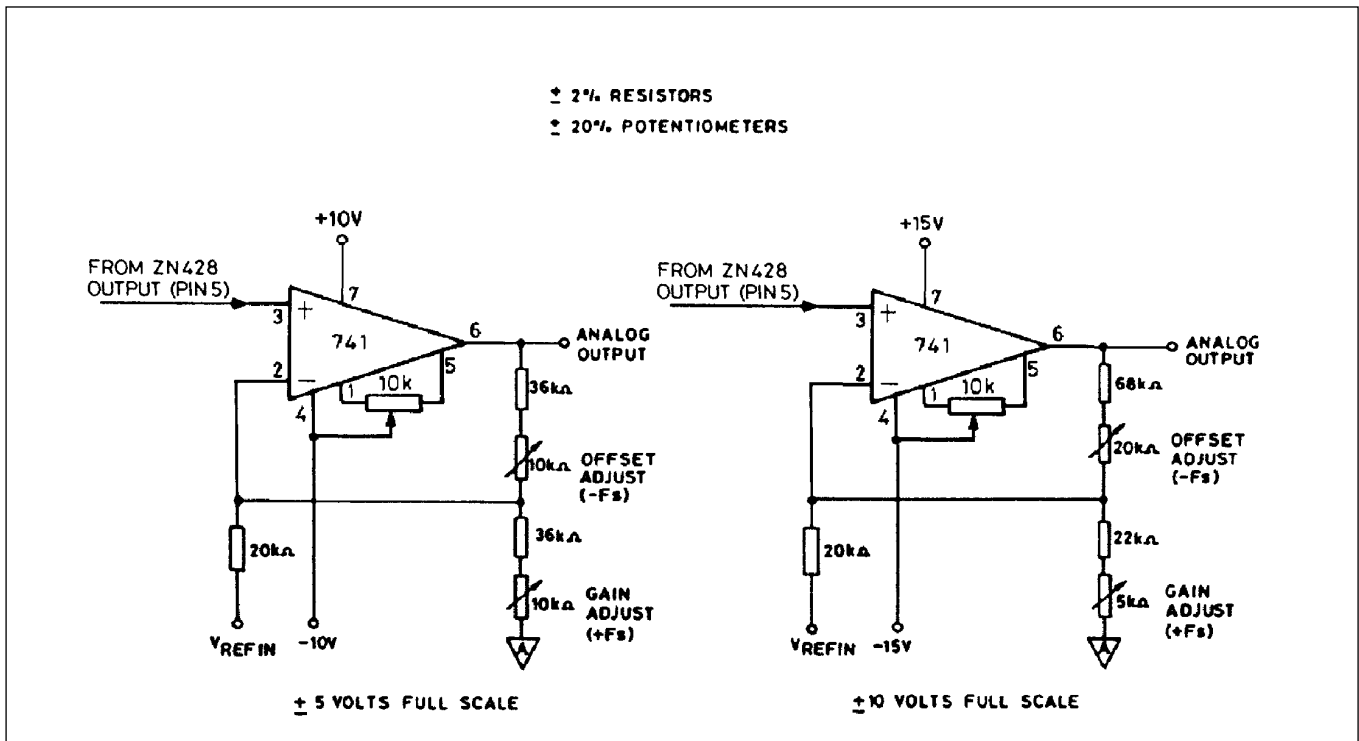


Fig.10 Bipolar operation - component values

BIPOLAR ADJUSTMENT PROCEDURE

- (i) Set all bits to OFF (low) with $\overline{\text{ENABLE}}$ low and adjust offset until the amplifier output reads -full-scale.
- (ii) Set all bits ON (high) and adjust gain until the amplifier output reads +(full-scale - 1LSB).

BIPOLAR SETTING UP POINTS

Input Range, ± FS	LSB	-FS	+(FS - 1LSB)
±5V	39.1 mV	-5.0000V	+4.9609V
±10V	78.1mV	-10.0000V	9.9219V

$1\text{LSB} = \frac{2\text{FS}}{256}$

BIPOLAR LOGIC CODING

Input Code (Offset Binary)	Analog Output (Nominal Value)
11111111	+(FS - 1LSB)
11111110	+(FS - 2 LSB)
11000000	+1/2 FS
10000001	+ 1LSB
10000000	0
01111111	-1 LSB
01000000	-1/2 FS
00000001	-(FS - 1LSB)
00000000	-FS



HEADQUARTERS OPERATIONS
GEC PLESSEY SEMICONDUCTORS
 Cheney Manor, Swindon,
 Wiltshire, United Kingdom. SN2 2QW
 Tel: (0793) 518000
 Fax: (0793) 518411

GEC PLESSEY SEMICONDUCTORS
 P.O. Box 660017,
 1500 Green Hills Road,
 Scotts Valley, California 95067-0017,
 United States of America.
 Tel (408) 438 2900
 Fax: (408) 438 5576

CUSTOMER SERVICE CENTRES

- **FRANCE & BENELUX** Les Ulis Cedex Tel: (1) 64 46 23 45 Fax: (1) 64 46 06 07
- **GERMANY** Munich Tel: (089) 3609 06-0 Fax: (089) 3609 06-55
- **ITALY** Milan Tel: (02) 66040867 Fax: (02)66040993
- **JAPAN** Tokyo Tel: (03) 5276-5501 Fax: (03) 5276-5510
- **NORTH AMERICA** Scotts Valley, USA Tel: (408) 438 2900 Fax: (408) 438 7023
- **SOUTH EAST ASIA** Singapore Tel: (65) 3827708 Fax: (65) 3828872
- **SWEDEN** Stockholm Tel: 46 8 702 97 70 Fax: 46 8 640 47 36
- **TAIWAN, ROC** Taipei Tel: 886 2 5461260 Fax: 886 2 7190260
- **UK, EIRE, DENMARK, FINLAND & NORWAY**
 Swindon Tel: (0793) 518510 Fax: (0793) 518582

These are supported by Agents and Distributors in major countries world-wide.

© GEC Plessey Semiconductors 1994 Publication No. DS3007 Issue No. 2.1 August 1994

TECHNICAL DOCUMENTATION - NOT FOR RESALE. PRINTED IN UNITED KINGDOM

This publication is issued to provide information only which (unless agreed by the Company in writing) may not be used, applied or reproduced for any purpose nor form part of any order or contract nor to be regarded as a representation relating to the products or services concerned. No warranty or guarantee express or implied is made regarding the capability, performance or suitability of any product or service. The